

# SPECIFICATIONS MINI-LINE STYLE I TAPPING TEE (2-5 POLE)

- Male-Female-Female Configuration
- Epoxy Coated Zinc Diecast Hardware
- Meets Current SAE #H1738-2 Specifications
- Vibration Proof Ratchet Design



## TECHNICAL DATA

### Agency Approvals

UL Recognition:

File #E169897

CSA Certification:

File #LR13963

### Electrical Data

Contact Resistance:

$\leq 5m\Omega$

Current Rating:

See chart with  
part number detail

Voltage Rating:

300 VAC

Dielectric Withstand Voltage:

1600 VAC

### Environmental Data

Protection:

NEMA 1, 3, 4, 6P and 13; IEC IP 68

Temperature Range:

-30°C to +105°C

High Pressure Water Test:

1200 PSI spray

### Material Data

Body Material:

Santoprene™, black

Insert:

Santoprene, black

Contacts:

Brass per ASTM B16

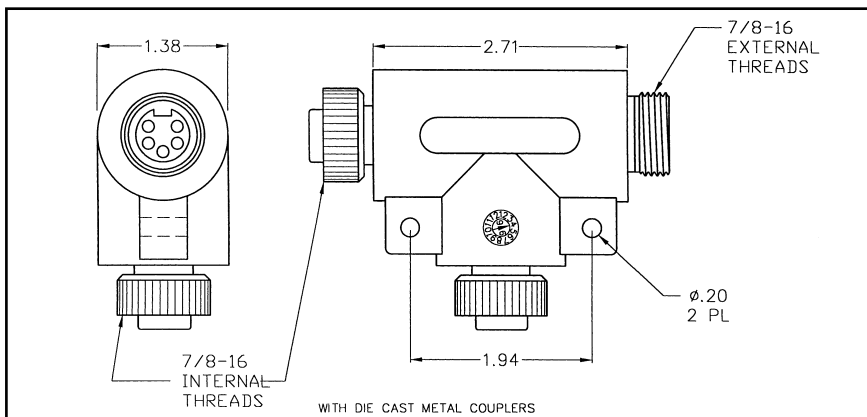
Contact Plating:

30 micro-inches of 24 karat Gold over 50 micro-inches of Nickel

Coupling Nut:

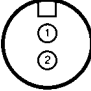
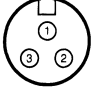
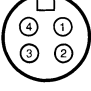
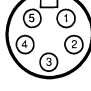
Diecast Zamak 5 with black epoxy coat

## DIMENSIONS



Santoprene is a tradename of  
Advanced Elastomer Systems.

# MINI-LINE STYLE I TAPPING TEE

POLES	FACE VIEW FEMALE	COLOR CODE	RATING	AWG	PART NUMBER
2		1. White 2. Black	300V, 13A	16	5000108-362
3		1. Green 2. Black 3. White	300V, 13A	16	5000109-362
4		1. Black 2. White 3. Red 4. Green	300V, 10A	16	5000110-362
5		1. White 2. Red 3. Green 4. Orange 5. Black	300V, 8A	16	5000111-362

Note: Stainless steel coupling nut available — consult factory.

## WIRING DIAGRAM

